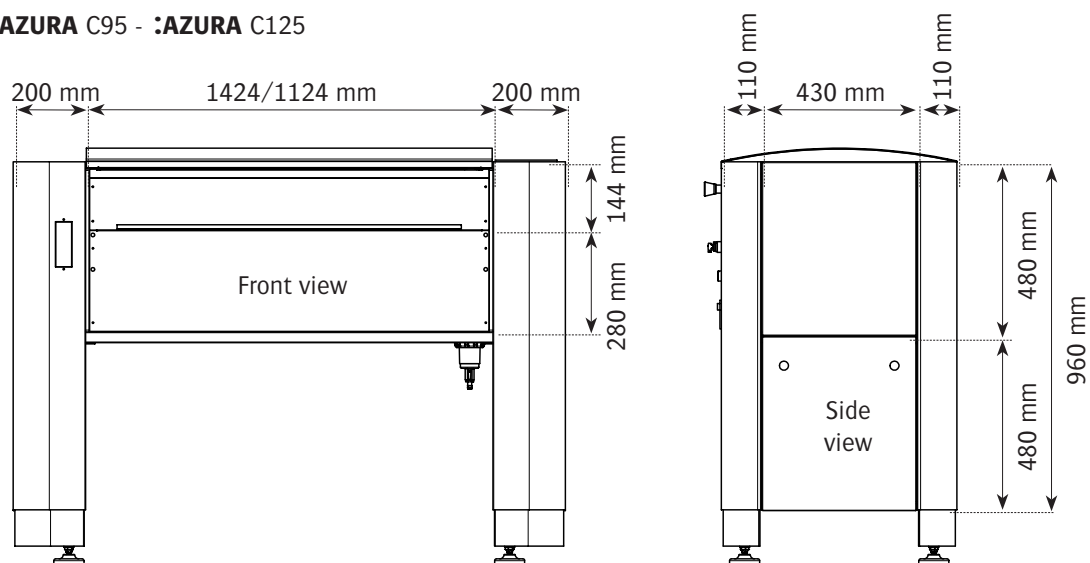


:AZURA C95 - C125

- Chemistry-free solution
- Small foot-print
- Intelligent interface
- Tool-free maintenance
- Minimum operational cost



:AZURA C95 - :AZURA C125



Clean Out	:AZURA C95	:AZURA C125
Platesetters	:Avalon N4, :Avalon N8 + L-conveyor	:Avalon N8, :Avalon N16
Plate width, min-max	200 - 950 mm (7.9 - 37")	200 - 1250 mm (7.9 - 49.0")
Plate length, min-max	310 - 1100 mm (12.2 - 43.3")	
Plate thickness, min-max	0.15 - 0.30 mm (0.006 - 0.012")	
Processing speed	60 cm/min (23.6"/min) , fixed	
Throughput*	54 pl/hr (landscape 745 x 605 mm) 33 pl/hr (portrait 1030 x 790 mm)	42 pl/hr (landscape 1030 x 790 mm)
Weight	Crated: 260kg (573 lbs) Uncrated: 200 kg (441 lbs)	Crated: 310 kg (682 lbs) Uncrated: 210 kg (462 lbs)
Approvals	Complies with CE standards, c TUV US certification	
Standard equipment	Small footprint, dual brush, filter strainer, automatic container empty alarm, world-wide electrical configurable, user interface through a control panel with a two-line display, Function keys such as: <ul style="list-style-type: none"> • Eject plates key • Cleaning cycle key • Brush calibration key • Plate m² counter 	
Options	Feed table, exit table, drip tray Interface kit for: Agfa: :Avalon SF/LF + PlateManager :Acento & :Acento II Heidelberg: Suprasetter 74 Topsetter 74 Screen: PT-R 4000 series Kodak: Trendsetter 400	Agfa: :AvalonSF/LF straight Heidelberg:Suprasetter 105 (semi-automatic) Screen: PT-R 8000 series, Screen-conveyor in use Kodak: Trendsetter 800

* in stand alone configuration

Space requirements:

min. 0,8 m on left and right side
min. 1,0 m on front and rear side (off-line)

